

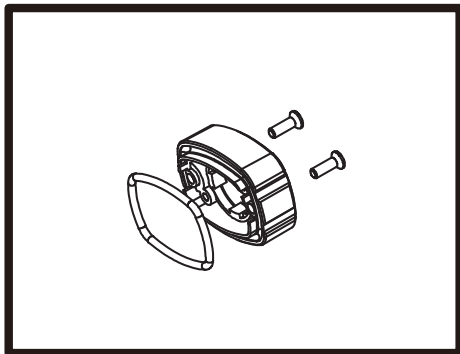


**ATD-80379/ATD-80380  
700 Lumen COB Work Light - 50' Reel  
Owner's Manual**

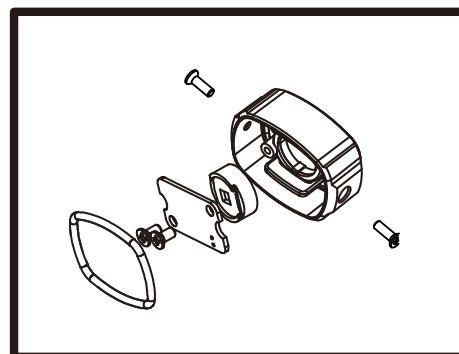
**PLEASE NOTE BEFORE ORDERING PARTS:**

There are two versions of this light, the first generation has screws in the top of the top lens housing, while the second generation has screws in the sides of the top lens housing. Please see the correct drawing for the correct part numbers for YOUR light.

**THESE PARTS ARE NOT INTERCHANGEABLE!**



1st Generation



2nd Generation



**ATD-80379/ATD-80380  
700 Lumen COB Work Light - 50' Reel  
Owner's Manual**



**Features**

- Front COB provides 700 lumens of bright light
- Top LED light offers an additional flashlight function - 50 lumens
- Two dual 360 degree rotating hooks with magnets for hanging and sticking to steel surfaces
- Tough, impact resistant ergonomic housing
- IP54 rated for dust & water resistance for light head
- 50' 18/2 SJTOW cord remains flexible in cord weather and is oil and grease resistant
- UL listed adapter

**Operating instructions**

- To use, plug the unit into any 110-120V AC power source, such as a wall receptable.
- Press the switch once for top LED, twice for front bulb, and third for off.


**Cautions**


- Use only the recommended voltage.
- Keep out of reach of children.
- Do not operate light with wet hands.
- Keep lamp away from hot objects.




**WARNING:** This product contains chemicals, including lead, known to the State of California to cause cancer, birth defects or other reproductive harm. **Wash hands after handling.**

## General Safety Warnings:


 **WARNING:** The instructions and warnings contained in this manual should be read and understood before using or operating this light. Do not allow anyone to use or operate this light until they have read this manual and have developed a thorough understanding of how this light works. Failure to observe any of the following instructions could result in severe personal injury to tool user and bystanders, or cause damage to the tool and property. Keep this manual for future reference.


 **Note:** The warnings and cautions discussed in this instruction manual cannot cover all possible conditions and situations that may occur. It must be understood by the operator that common sense and caution are factors which cannot be built into this product, but must be supplied by the operator.


 **WARNING:** Always keep your work area clean, uncluttered, and well lit. Cluttered or dark areas invite accidents and injuries. DO NOT work on floor surfaces that are slippery.


---


## Electrical Safety Warnings:


 **WARNING:** Read all safety warnings and instructions. Failure to follow all warnings and instructions may result in electric shock, fire and/or serious injury or death.


 **WARNING:** Before connecting a light to a power supply, always check to ensure the power supply corresponds to the voltage on the nameplate of the light. A power supply with a voltage greater than that specified for the light can result in serious injury to the user, as well as damage to the light. Using a power supply with a voltage less than the nameplate rating is harmful to the motor. If in doubt, do not plug in the light.


 **WARNING:** Grounded lights must be plugged into an outlet properly installed and grounded in accordance with all codes and ordinances. This light is equipped with a 3-prong plug and a 3-wire grounding system. Never remove the grounding prong or modify the plug in any way. Do not use any adapter plugs. Check with a qualified electrician if you are in doubt as to whether the outlet is properly grounded.

 **NOTE:** Double insulated lights are equipped with a polarized plug (one blade is wider than the other). This plug will fit in a polarized outlet only one way. If the plug does not fit fully in the outlet, reverse the plug. If it still doesn't fit, contact a qualified electrician to install a polarized outlet. Do not change the plug in any way.

 **WARNING:** To reduce the risk of electric shock, DO NOT use in damp conditions, on wet surfaces, or expose to rain. Do not plug in this light or operate it with wet hands or while standing in water.

 **WARNING:** Never use the cord for carrying, pulling or unplugging the power light. Grasp plug and pull to disconnect from outlet. Keep cord away from heat, oil, sharp edges or moving parts. Replace damaged cords immediately.

 **WARNING:** Always remove the power cord from the electric outlet when making adjustments, changing parts, cleaning or working on the light.

 **WARNING:** Care should be taken to arrange the cord so it will not be stepped on, tripped over, or otherwise subjected to damage or stress.

**⚠️ WARNING:** Never attempt to plug in or operate equipment with defective or damaged wires, power cord or power cord plug. Have any defective or damaged parts replaced immediately by qualified personnel.

**⚠️ WARNING:** Avoid body contact with electrically grounded surfaces. There is an increased risk of electric shock if your body is grounded.

**⚠️ WARNING:** Ground Fault Circuit Interrupter (GFCI) protection is to be provided on the circuit(s) or outlet(s) to be used for the wet location portable luminaire. Receptacles are available having built-in GFCI protection and are able to be used for this measure of safety.

**⚠️ WARNING:** Use only with an extension cord for outdoor use, such as an extension cord of cord type SEW, SEOW, SEOOW, SOW, SOOW, STW, STOW, STOOW, SJEW, SJEOW, SJEOOW, SJW, SJOW, SJOOW, SJTW, SJTOW, or SJTOOW

**⚠️ WARNING:** Use of improper size or gauge of extension cord may cause unsafe or inefficient operation of your light, or cause damage to your light. Be sure your extension cord is rated to allow sufficient current flow to the motor. If in doubt, always use a larger gauge cord. Be sure to check the voltage requirements of the light to your incoming power source.

**📖 NOTE:** The table below shows the correct size to use according to cord length and the amperage draw of the light (specified on the nameplate). When in doubt, use the next heavier gauge. The smaller the gauge number, the heavier the cord. (AWG = American Wire Gauge).

Minimum Gauge for Extension Cords (AWG)  
(when using 120 volts only)

Ampere Rating		Total Length of Cord in Feet (meters)			
More Than	Not More Than	25' (7.6m)	50' (15m)	100' (30.4m)	150' (45.7m)
0	6	18	16	16	14
6	10	18	16	14	12
10	12	16	16	14	12
12	16	14	12	<b>Not Recommended</b>	

**⚠️ WARNING:** The work light must be connected to a 120 VAC power source as specified. All wiring should be performed by a qualified electrician.

**⚠️ WARNING:** Disconnect power (unplug the light) before installing or servicing.

**⚠️ WARNING:** These fixtures are not intended to be used in potentially dangerous locations, such as flammable or explosive atmospheres.

**⚠️ WARNING:** Do not disassemble the light head. The water resistant function will be affected after disassembling/opening the light.

**⚠️ WARNING:** Keep plugs and receptacles dry.

### Installation Instructions for Table or Bench Mount

- 1) Choose a dry location within 2 feet of a 120 volt electrical outlet
- 2) Mount bracket directly to table or Bench (figure A)
- 3) Insert reel into bracket, use care to line up the mounting holes (figure B)
- 4) Secure reel to bracket using the 8" pin (figure B)
- 5) Once pin is fully inserted, secure 8" pin with cotter pin (figure B)
- 6) Adjust ball stop so T-Tap or light head hangs at your desired length
- 7) Plug power cord into your 120 volt electrical outlet.

### Installation Instructions for Wall Mount

- 1) Choose a dry location within 2 feet of a 120 volt electrical outlet
- 2) Mount bracket directly to wall stud (figure A) leaving a minimum of 24" between the reel and the outside edge of the wall or door frame.

**DO NOT MOUNT REEL TO DRYWALL OR ANY UNSUPPORTED WALL MATERIAL DIRECTLY**

- 3) Insert reel into bracket, use care to line up the mounting holes (figure B)
- 4) Secure reel to bracket using the 8" pin (figure B)
- 5) Once pin is fully inserted, secure 8" pin with cotter pin (figure B)
- 6) Adjust ball stop so T-Tap or light head hangs at your desired length
- 7) Plug power cord into your 120 volt electrical outlet.

### Installation Instructions for Ceiling Mount

- 1) Choose a dry location within 2 feet of a 120 volt electrical outlet
- 2) Mount bracket directly to ceiling joist, beam or a reinforced ceiling. (figure A)

**DO NOT MOUNT REEL TO DRYWALL OR ANY UNSUPPORTED CEILING MATERIAL DIRECTLY**

- 3) Insert reel into bracket, use care to line up the mounting holes (figure B)
- 4) Secure reel to bracket using the 8" pin (figure B)
- 5) Once pin is fully inserted, secure 8" pin with cotter pin (figure B)
- 6) Adjust ball stop so T-Tap or light head hangs at your desired length
- 8) Plug power cord into your 120 volt electrical outlet.

(Figures A,B & C are for general reference only. Shown is the bench mount method.)



Figure A

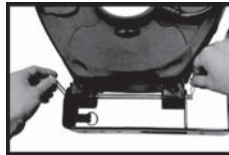


Figure B



Figure C

### Operating instructions

- 1) Fully extend and lock cord in place before using.
- 2) To lock, pull cord to desired length. **SLOWLY** let the cord retract back into the reel some, until you hear a clicking sound. Stop the cord from retracting when you hear the clicking sound. Cord should now be locked in place. If not, repeat previous instructions.
- 3) To retract cord, pull cord out a few inches until you feel the reel pulling the cord from your hand. **DO NOT LET GO OF THE CORD WHILE IT IS RETRACTING.** Hold onto cord until it is completely wound into the reel. Failure to do so may result in personal injury and/or damage to the reel itself.
- 4) To lock multi-angle bracket into place, pull looped spring loaded pin out, set reel to desired angle and release looped spring pin to engage into one of the holes to lock it.

### Cautions

- **Do NOT service this reel light while it is plugged in.** It may cause electrical shock
- **Opening reel may cause injury.** Unit has a tightly wound clock spring for retraction.

### **Light Head (Part# ATD-80380) Replacement Instructions**

- 1) Unscrew the screw cap (figure 1&2)
- 2) Unscrew the nut (figure 3&4)
- 3) Pull out the wire with terminals from the bottom part of the light (figure 5)
- 4) Split the terminals to separate the light and cord (figure 6)
- 5) Connect the terminals of the cord side and light head side (figure 7)
- 6) Put the wire with terminals into the handle of the light head (figure 8)
- 7) Screw the nut (figure 9)
- 8) Screw the screw cap (figure 10)



Figure 1



Figure 2



Figure 3



Figure 4



Figure 5

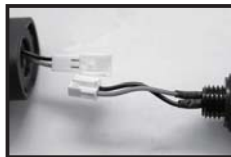


Figure 6



Figure 7



Figure 8

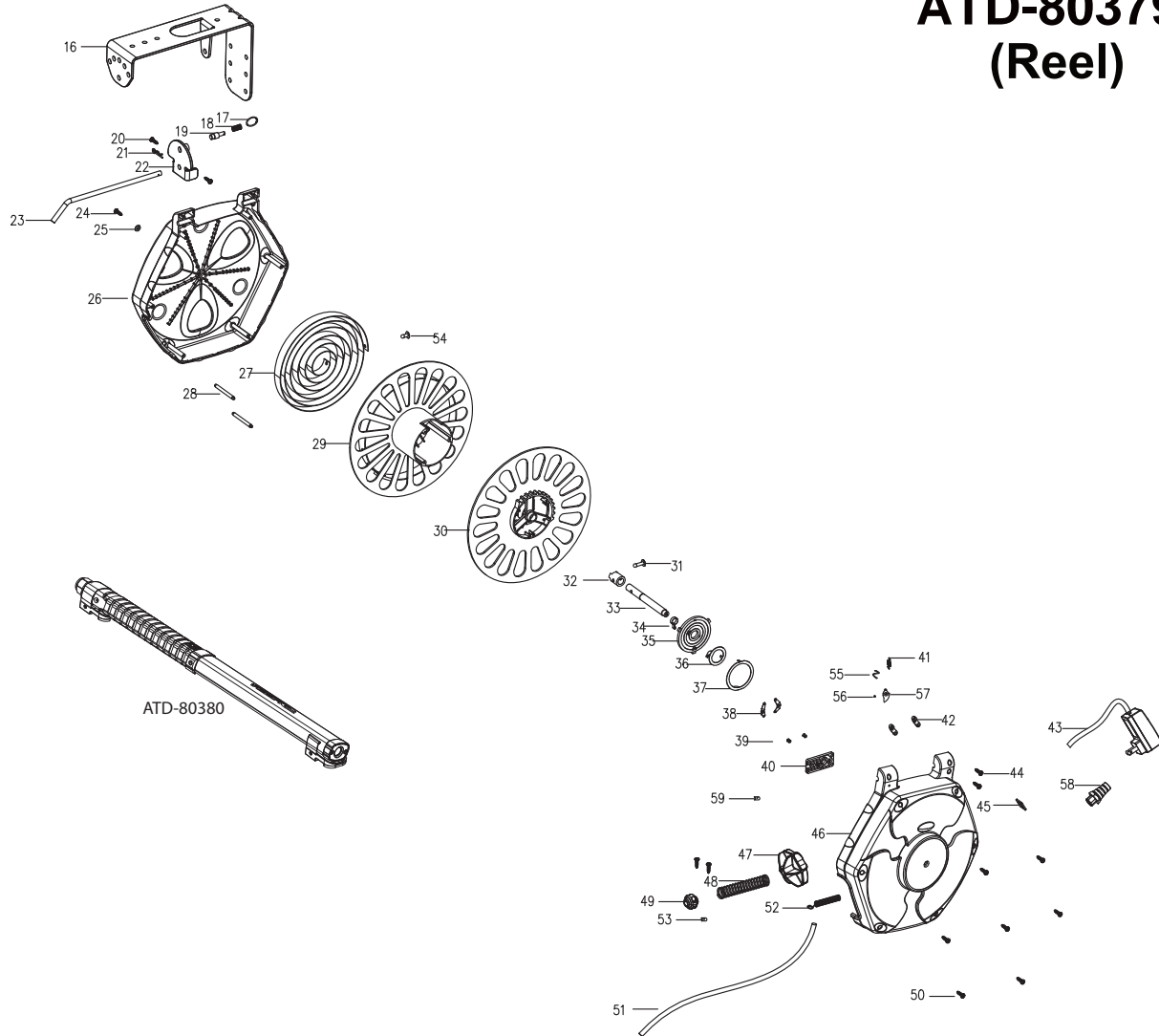


Figure 9



Figure 10

# ATD-80379 (Reel)



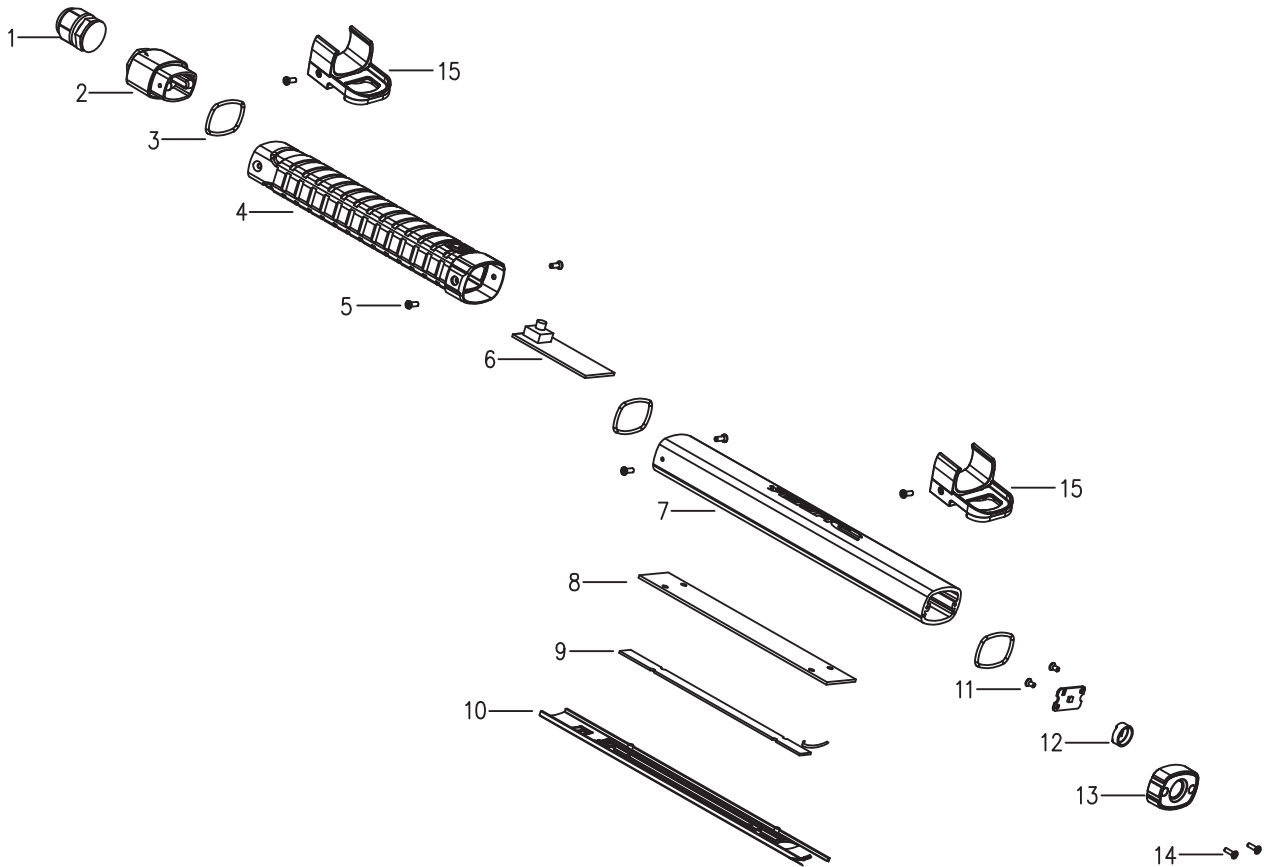
ITEM#	ORDERING PART#	PART DESCRIPTION
16	PRT80379-16	BRACKET
17	PRT80379-17	SPRING A
18	PRT80379-18	SPRING B
19	PRT80379-19	PIN A
20	PRT80379-20	SCREW D
21	PRT80379-21	COTTER PIN
22	PRT80379-22	SPACER
23	PRT80379-23	PIN B
24	PRT80379-24	SCREW E
25	PRT80379-25	TOOTH WASHER
26	PRT80379-26	HOUSING LOWER
27	PRT80379-27	RETRACTING SPRING
28	PRT80379-28	ROLLER
29	PRT80379-29	REEL SEAT
30	PRT80379-30	REEL COVER
31	PRT80379-31	RIVET A
32	PRT80379-32	BUSHING
33	PRT80379-33	SHAFT
34	PRT80379-34	CIRCLIP
35	PRT80379-35	TERMINAL BOX, ROUND
36	PRT80379-36	SMALL RING
37	PRT80379-37	LARGE RING

ITEM#	ORDERING PART#	PART DESCRIPTION
38	PRT80379-38	COPPER PIECES
39	PRT80379-39	RIVET B
40	PRT80379-40	TERMINAL BOX, SQUARE
41	PRT80379-41	SPRING, SMALL
42	PRT80379-42	FLANGE, BENT
43	PRT80379-43	CHARGER
44	PRT80379-44	SCREW F
45	PRT80379-45	FLANGE, STRAIGHT
46	PRT80379-46	HOUSING UPPER
47	PRT80379-47	STOP BALL
48	PRT80379-48	SPRING C
49	PRT80379-49	HOOP
50	PRT80379-50	SCREW G
51	PRT80379-51	CABLE
52	PRT80379-52	SPRING D
53	PRT80379-53	RING A
54	PRT80379-54	RIVET C
55	PRT80379-55	PIN C
56	PRT80379-56	FLAT WASHER
57	PRT80379-57	RATCHET PAWL
58	PRT80379-58	CORD SHEATH
59	PRT80379-59	RING B



# ATD-80380 (Light)

(FIRST GENERATION)



ITEM#	ORDERING PART#	PART DESCRIPTION
1	PRT80378-02	CONNECTOR
2	PRT80378-03	BOTTOM FIXED BLOCK
3	PRT80373-13	O-RING
4	PRT80375-05	HANDLE
5	PRT80378-06	SCREW C
6	PRT80379-06	PCBA WITH TOP LED
7	PRT80377-07	PC TUBE/LENS
8	PRT80377-10	HEAT SINK

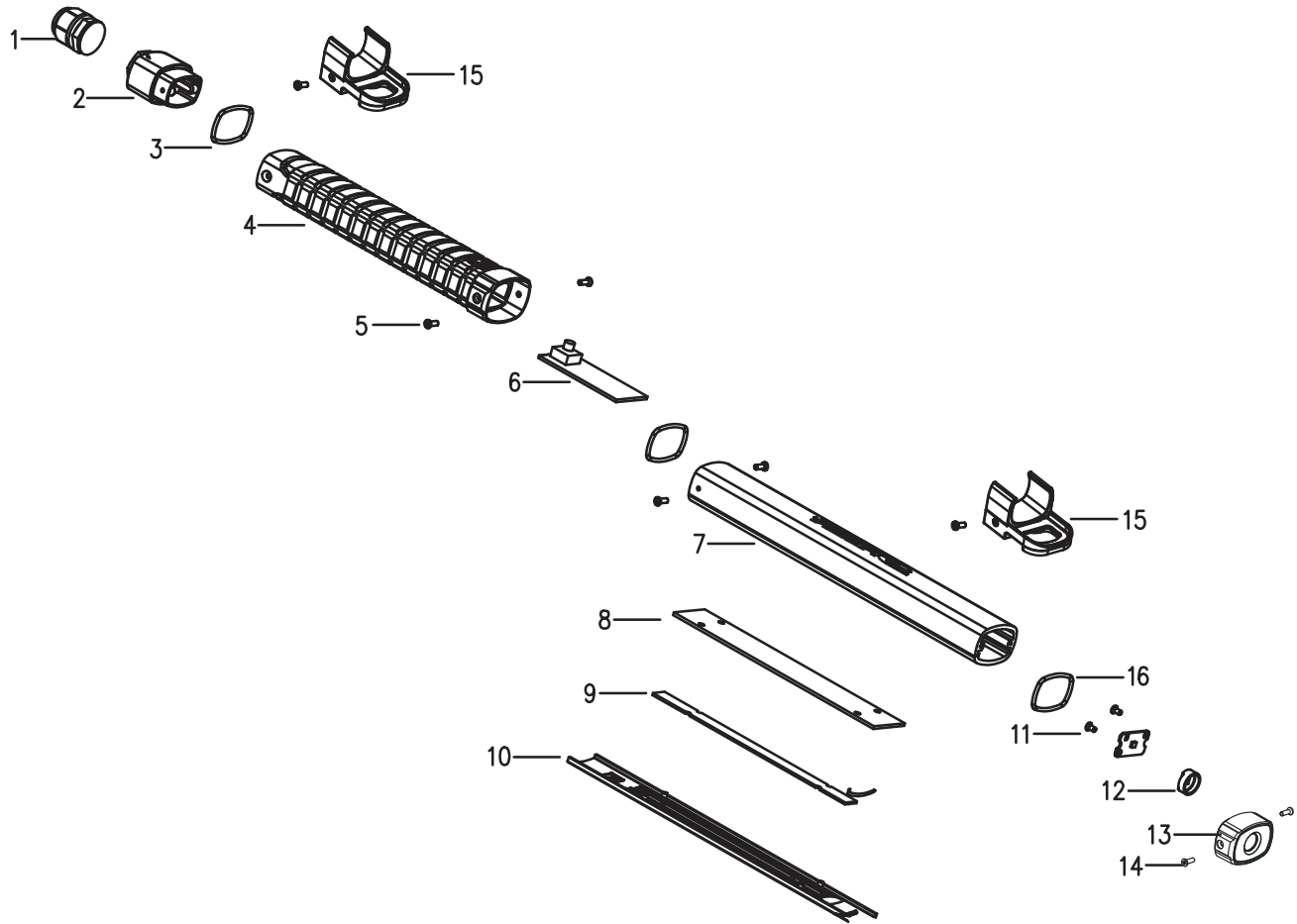
ITEM#	ORDERING PART#	PART DESCRIPTION
9	PRT80378-10	LED
10	PRT80378-11	REFLECTOR
11	PRT80373-11	SCREW B
12	PRT80373-12	LED COVER
13	PRT80373-14	TOP FIXED BLOCK
14	PRT80373-04	SCREW A
15	PRT80373-15	HOOK ASSEMBLY





# ATD-80380 (Light)

(SECOND GENERATION)



ITEM#	ORDERING PART#	PART DESCRIPTION
1	PRT80378-02	CONNECTOR
2	PRT80378-03	BOTTOM FIXED BLOCK
3	PRT80373-13	O-RING
4	PRT80375-05	HANDLE
5	PRT80378-06	SCREW C
6	PRT80379-07	PCBA WITH TOP LED
7	PRT80377-07-14	TOP BLOCK & PC TUBE ASSEMBLY
8	PRT80377-10	HEAT SINK

ITEM#	ORDERING PART#	PART DESCRIPTION
9	PRT80378-10	LED COVER
10	PRT80378-11	REFLECTOR
11	PRT80373-11	SCREW B
12	PRT80373-12	LED COVER
13	PRT80377-07-14	TOP BLOCK & PC TUBE ASSEMBLY
14	PRT80373-04	SCREW A
15	PRT80373-15	HOOK ASSEMBLY
16	PRT80377-07-14	TOP BLOCK & PC TUBE ASSEMBLY